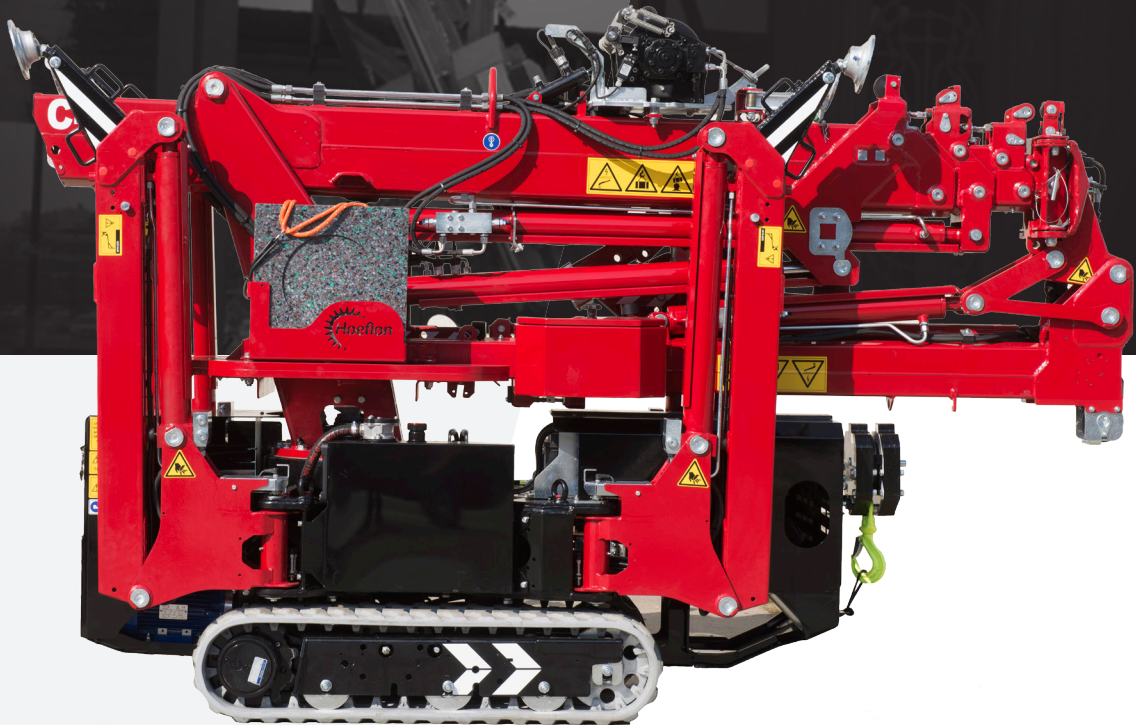


**HOEFLOON**

**C4**

FUNCTIONAL  
BASIC CRANE



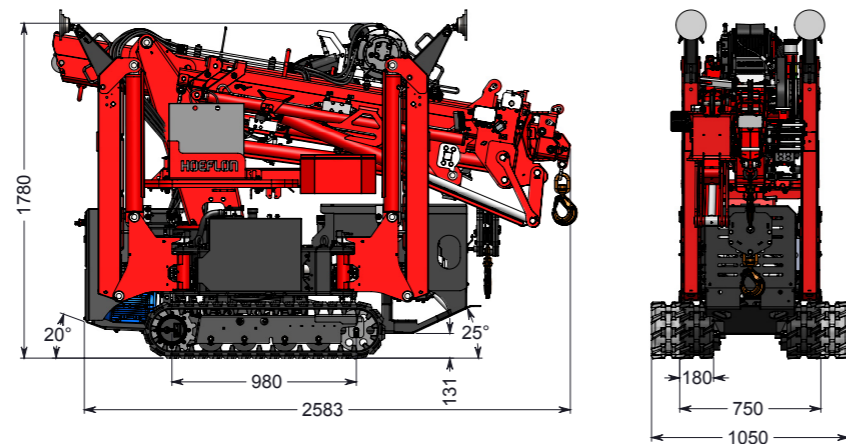
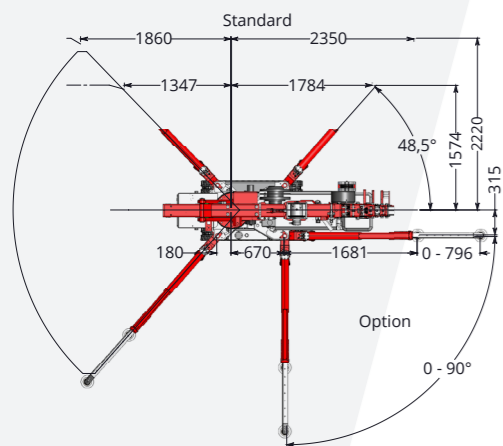
**HOEFLOON<sup>®</sup>**



# HOEFLON C4

The defining aspect of the C4 compact crane is the low net weight of the machine. This allows it to be easily transported on a trailer suitable for vehicles with lower towing capacity, so this machine can be used anywhere. The options available for this mini-crane make it simple to turn the C4 into a fully featured lifting crane.

The options available for this mini-crane make it simple to expand the C4 to serve as a deluxe lifting crane.

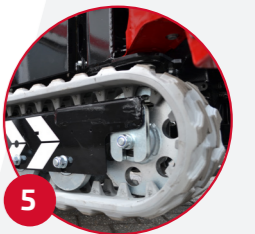


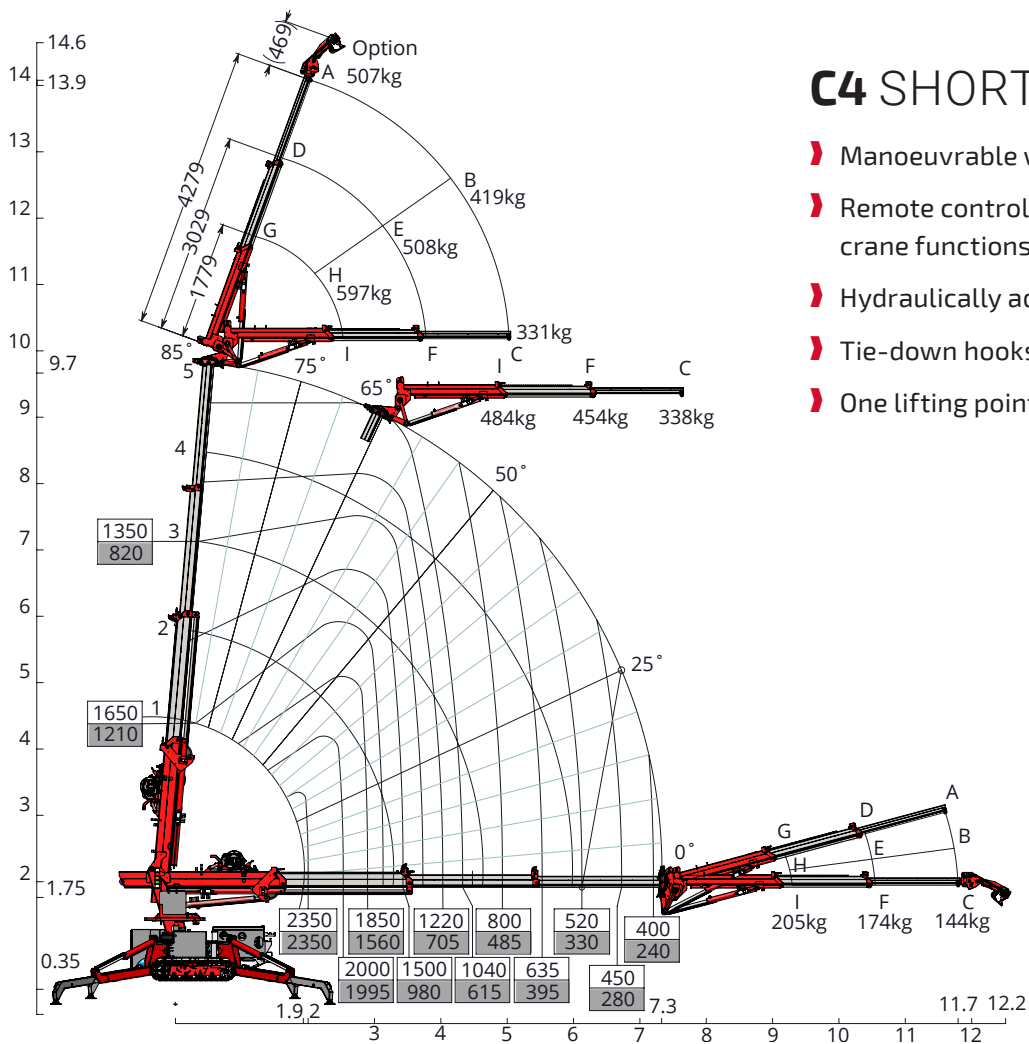
## Standard configuration

Capacity	2,350 kg
Boom outreach	7.3 m, and 11.75 m with options
Hoisting height max. without jib	9.7 m, and 14.6 m with options
Transport dimensions LxWxH	2.95 x 0.75 x 1.75 m
Total weight	1,900 kg, and 2,150 kg with options
Boom angle	-5° to 83°
Boom system	cylinder and chain system
Slewing angle	360°
Driving speed	1st gear: 1.2 km/h, 2nd gear: 2.4 km/h,
Engine	Honda petrol engine
Inclination angle, driving	20°
Outrigger pressure	2,450 kg per outrigger
Ground pressure, tracks	0.52 kg/cm <sup>2</sup>
Ballast weight	115 kg
Noise	75 dB

## Accessories/Options

Dimensions including winch and jib	3.05 x 0.75 x 1.95 m
Fly jib 1	4.3 m
Winch 2	1,000 kg, 2,000 kg and 2,350 kg
Extension section 3	30° adjustable
Winch cable	40 m
Outriggers 4	bend
Outriggers	hydraulically extending stepless
Slewing	unlimited
Crawler 5	non-marking
Lighting	work light on boom and jib
Storage box 6	extra storage box
Speed controller	900 to 1700 rpm





## C4 SHORTLY

- Manoeuvrable with extreme precision
- Remote control for outrigger, driving and crane functions
- Hydraulically adjustable tracks
- Tie-down hooks for trailer
- One lifting point

### With fly-jib

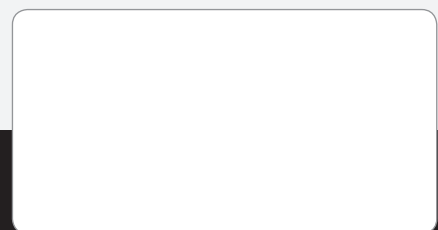
No rights can be derived from the information stated here.



## WHY HOEFLON?

Hoefflon transport solutions are extremely versatile, making them perfect for moving heavy materials in close quarters or difficult-to-reach areas at project sites. We are happy to offer advice concerning the best solution for your situation. Ask us about the possibilities!

Your Hoefflon® dealer ▶



**HOEFLON®**

Hoefflon International B.V.

address Zwolleweg 2 3771 NR Barneveld, The Netherlands

tel. +31 (0)342 400288 email info@hoefflon.com

**HOEFLON.COM**

Made in Holland