

Data subject to change without prior notice
Edition 04/2020 © 2020 JMG Cranes S.p.A. All rights reserved
Rev.1 - 04/2020



Electric Pick & Carry Cranes

JMG Cranes S.p.A.

Sales & Service Office

Via Bergamo, 142

26100 Cremona - Italy

t +39 0372 1786738

Production Plant

Via Sito Nuovo 14

29010 Sarmato (PC) - Italy

t +39 0523 8486

e info@jmgcranes.com



MC 25S (metric)
Max Capacity 2,500 kg

www.jmgcranes.com



MC 25S

SEQUENTIAL TELESCOPING BOOM

FRONT-WHEELS DRIVE WITH COUNTER ROTATION

TILTING HEAD 4 POSITIONS (-70°/-35°/0°/+10°)

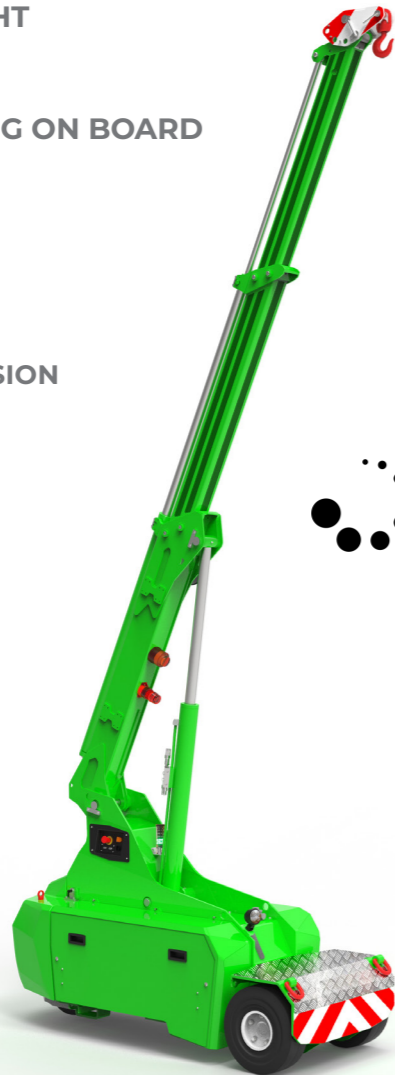
REMOVABLE COUNTERWEIGHT

USB PLUG

BLOCKS AND HOOKS LODGING ON BOARD

Optionals:

- HYDRAULIC WINCH
- BENDABLE MANUAL EXTENSION
- NON-MARKING TIRES
- MAN BUCKET
- ATEX CONVERSIONS
- CUSTOMIZED PAINTING
- TOOL BOX

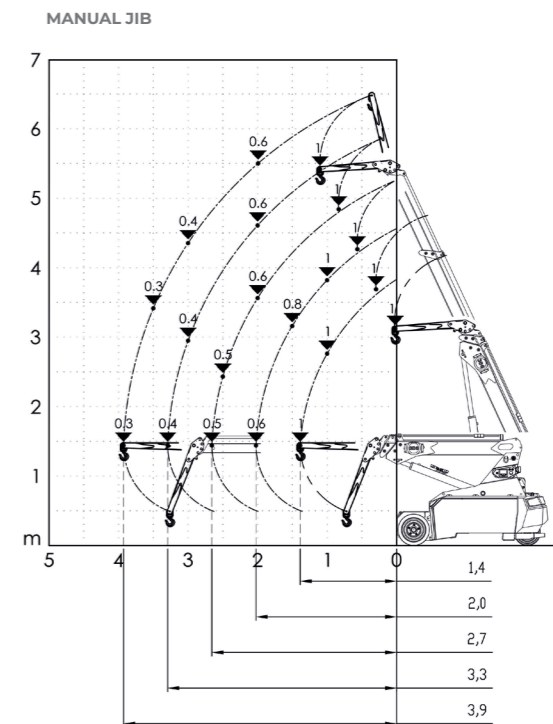
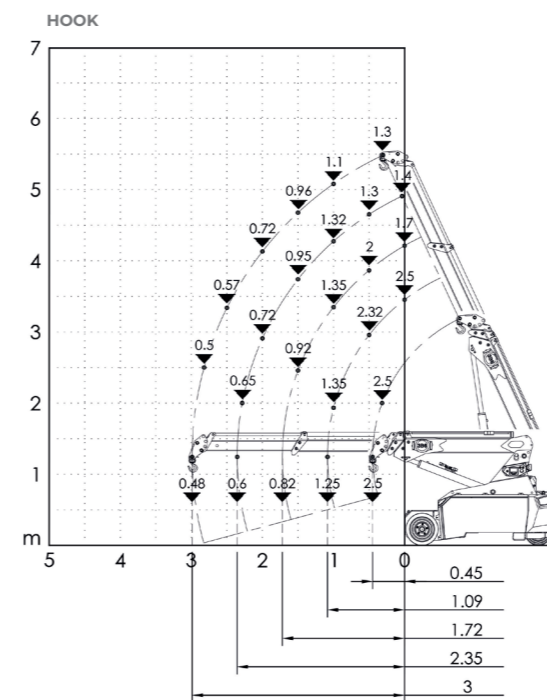


Technical features

Max Capacity kg	2.500	Front-wheels drive. 2 electric motors AC 2 kW 24V Insulation class H	L.M.I. Electronic safe load indicator and tilting moment limiter
	Dimensions mm	2190x900x1610	Total Kg. 2.400 Removable counterweight Kg. 750
Front nr. 2 superelastic 18x7-8" Rear nr. 2 superelastic 15x4 1/2-8"		Fabricated from preformed and welded quality steel plate	
Rear Steering angle -90°/+90°		Motor driven pump 3 kW - 24 V AC, Insulation class H	



Load charts



EU Standards CE

	UNI ISO 4030-2: A1
	2006/42/CE- 2000/14/CE -2014/30 UE 2014/35/UE - D.Lgs 262/2002 subsequent modifications
	EN 13000:2014 subsequent modifications



Dimensions

