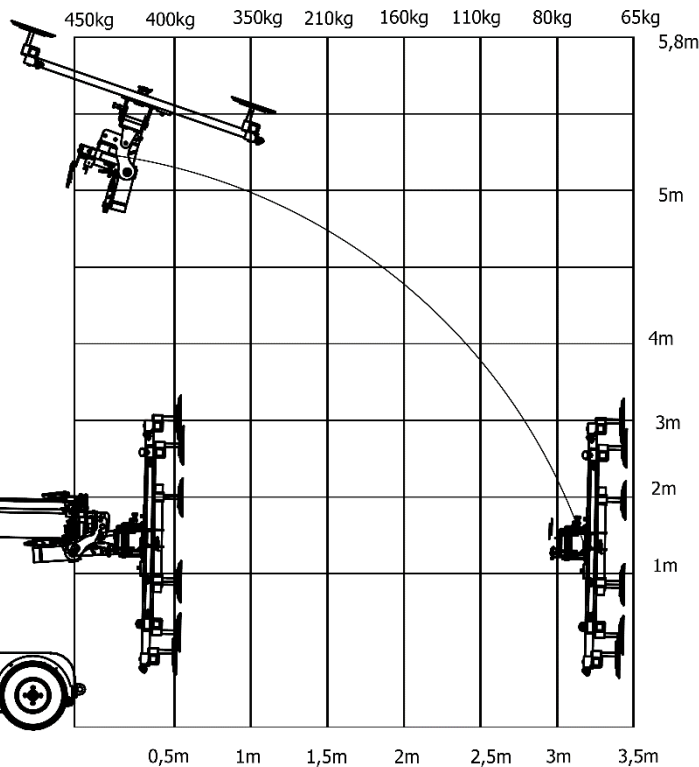
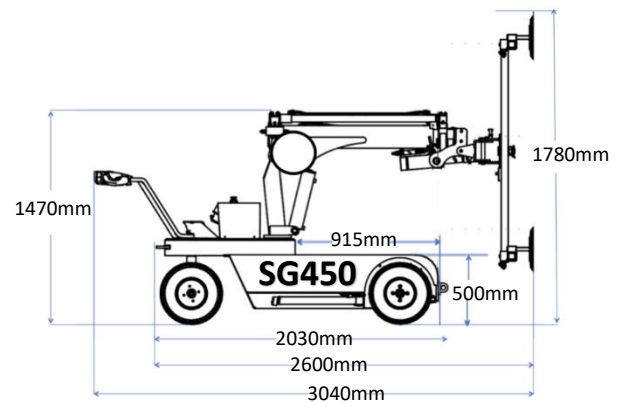
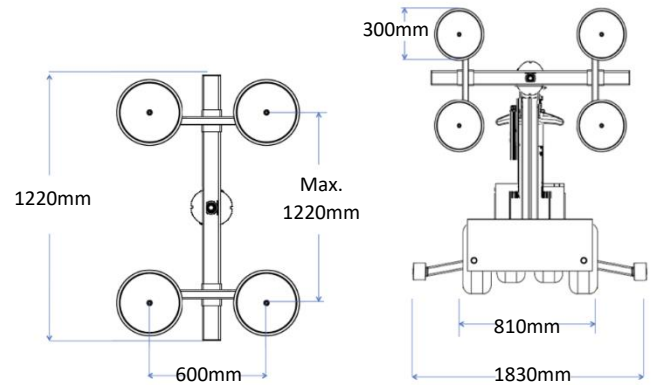


SG450

Specification

Introducing the smartest way to install glass. SmartGroup Lifts are improving safety and productivity like no other lift in the world. Using an SG Lift is now the smartest way for glaziers to lift and install glass. It is the smartest lift in the industry.



Traction	2WD front
Max. Height	5.8m
Max. Lateral Reach	3.5m
Capacity	450kg
Weight	1050Kg
Speed	5km/h